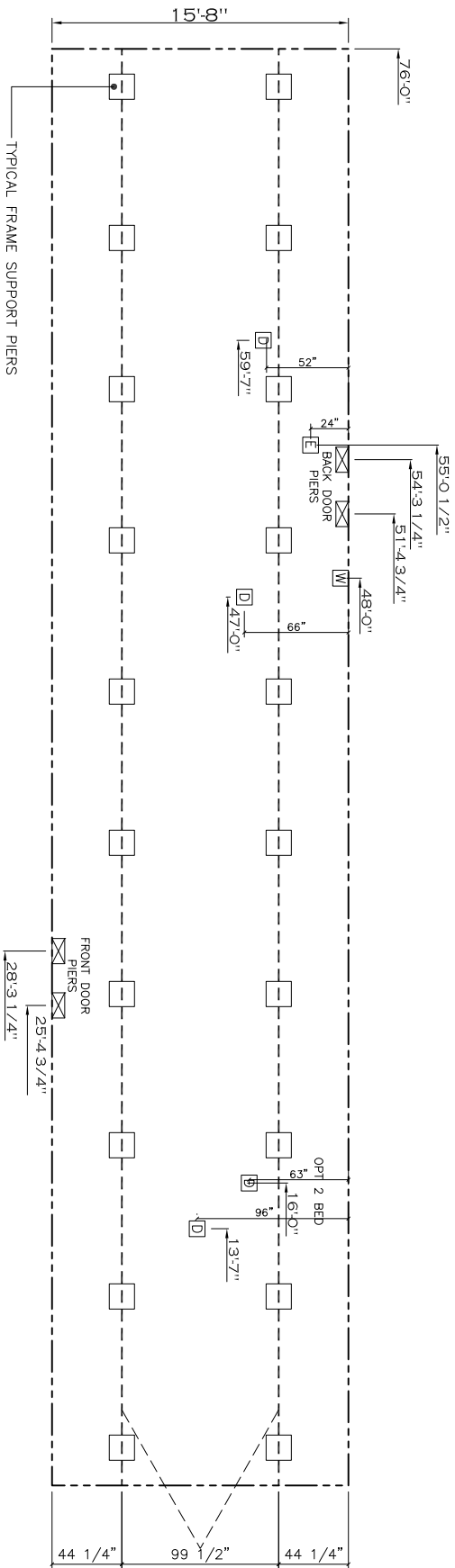


SIDEWALL OPENING PER LOAD 16' BOX WIDTH	SIDEWALL OPENINGS (FT)				
	REQUIRED PIER LOAD (LBS)				
3	4	5	6	8	10
1237	1405	1572	1740	2075	2410

*FOR 30 lb & 40 lb ROOF LOAD REFER TO TABLES 7 & 7a IN THE INSTALLATION MANUAL.



- NOTES:
- REFER TO TABLES 6 AND 6a IN THE INSTALLATION MANUAL FOR LOAD ON FRAME PIER FOOTINGS FOR HOMES THAT DO NOT REQUIRE PERIMETER BLOCKING. REFER TO TABLES 7 AND 7a IN THE INSTALLATION MANUAL FOR LOAD ON FRAME PIER FOOTINGS FOR HOMES THAT REQUIRE PERIMETER BLOCKING. REFER TO TABLES 10 AND 10a TO DETERMINE FOOTING SIZE FOR ALL PIERS.
 - REFER TO TABLE 9 FOR PIER CONFIGURATION AND MAXIMUM ALLOWABLE HEIGHTS. CROSS REFERENCE THE PIER HEIGHT WITH THE MAXIMUM ALLOWABLE FLOOR HEIGHT LISTED IN THE FRAME TIEDOWN CHARTS (TABLE 18, 19, AND 20).
 - THE MAXIMUM SPACING FOR 8" I-BEAMS IS 8 FEET, 10" & 12" I-BEAMS IS 10 FEET.
 - SERVICE DROP LOCATIONS IDENTIFIED ARE APPROXIMATE.
 - FLOOR WIDTH SHOWN IS FOR STANDARD PRODUCT ONLY. CONTACT THE MFG FACILITY FOR SPECIFICATIONS OF OPTIONS ORDERED.

SERVICE DROP LEGEND		PIER LEGEND	
E	= ELECTRICAL DROP	<input type="checkbox"/>	= PIER MAIN BEAM
W	= WATER INLET	<input checked="" type="checkbox"/>	= PIER PERIMETER
D	= DWV PLUMBING DROP	<input checked="" type="checkbox"/>	= PIER PORCH/RECESSED ENTRY
G	= GAS INLET		

1,191 SQ.FT. (STD PLAN "CONDITIONED")
N/A SQ.FT. (W/OPT. PORCH/RECESS "CONDITIONED")

Product Designers: HAKWONB
MANUFACTURING

CMH

Model #: IWXEL67G3BNV
Date: 6/12
Scale: N.T.S.

Drawing #: 315125

16' x 76' MAXIMIZER

FRAME PIERS

REVISION RCR-486272
6.30.17 ACM